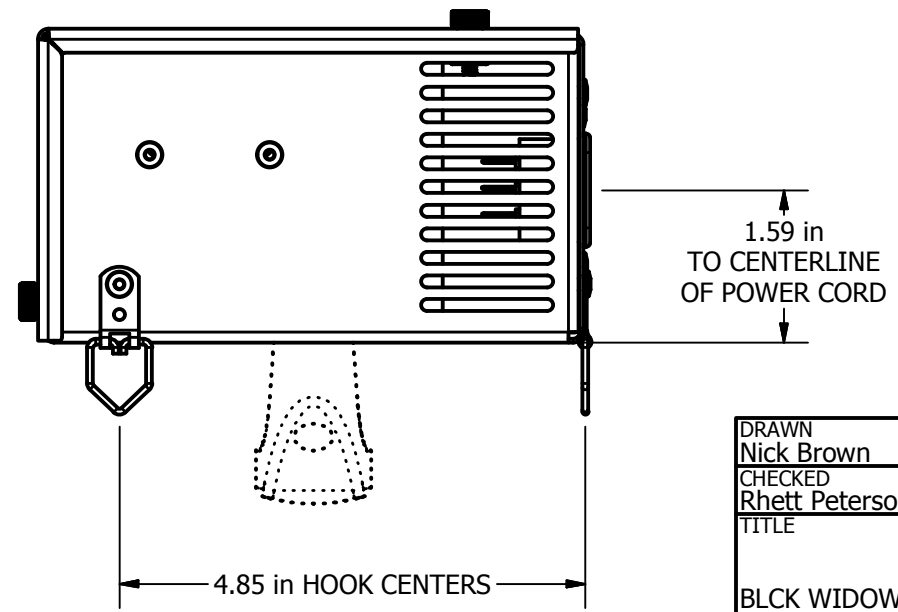
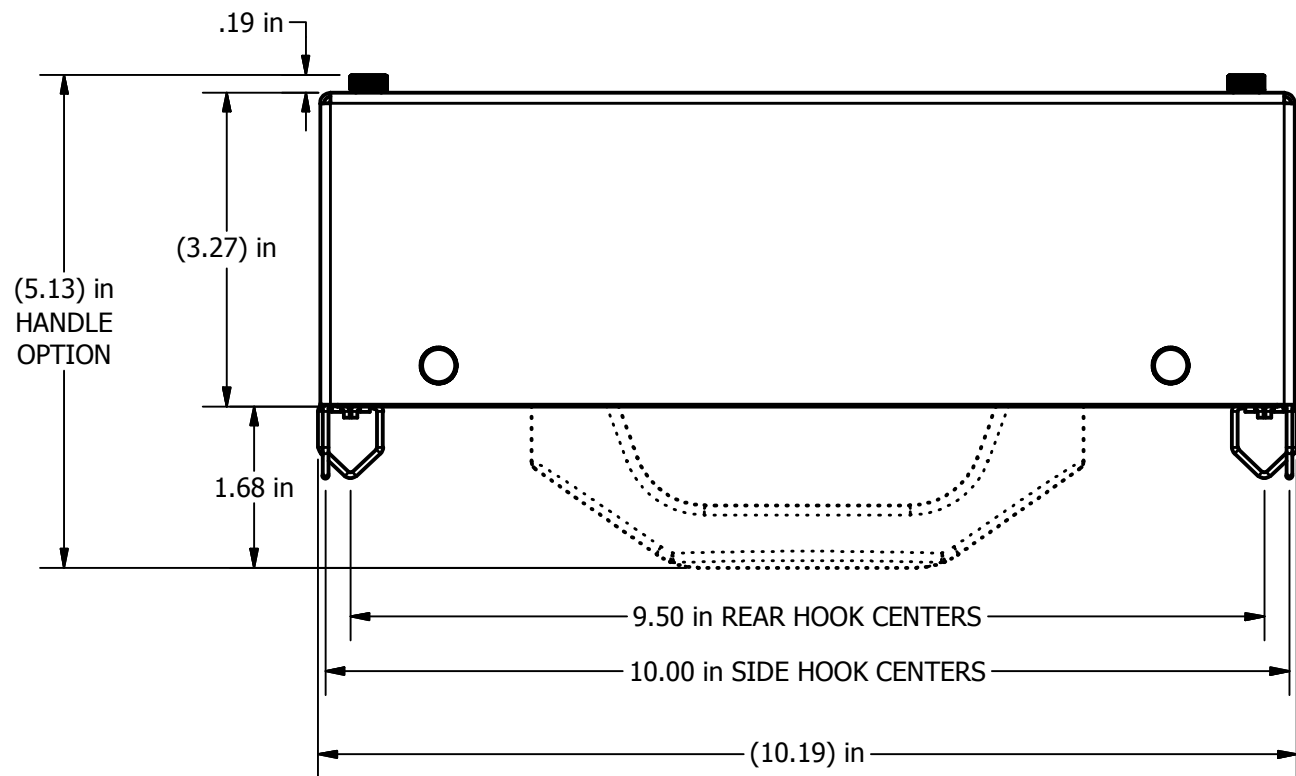
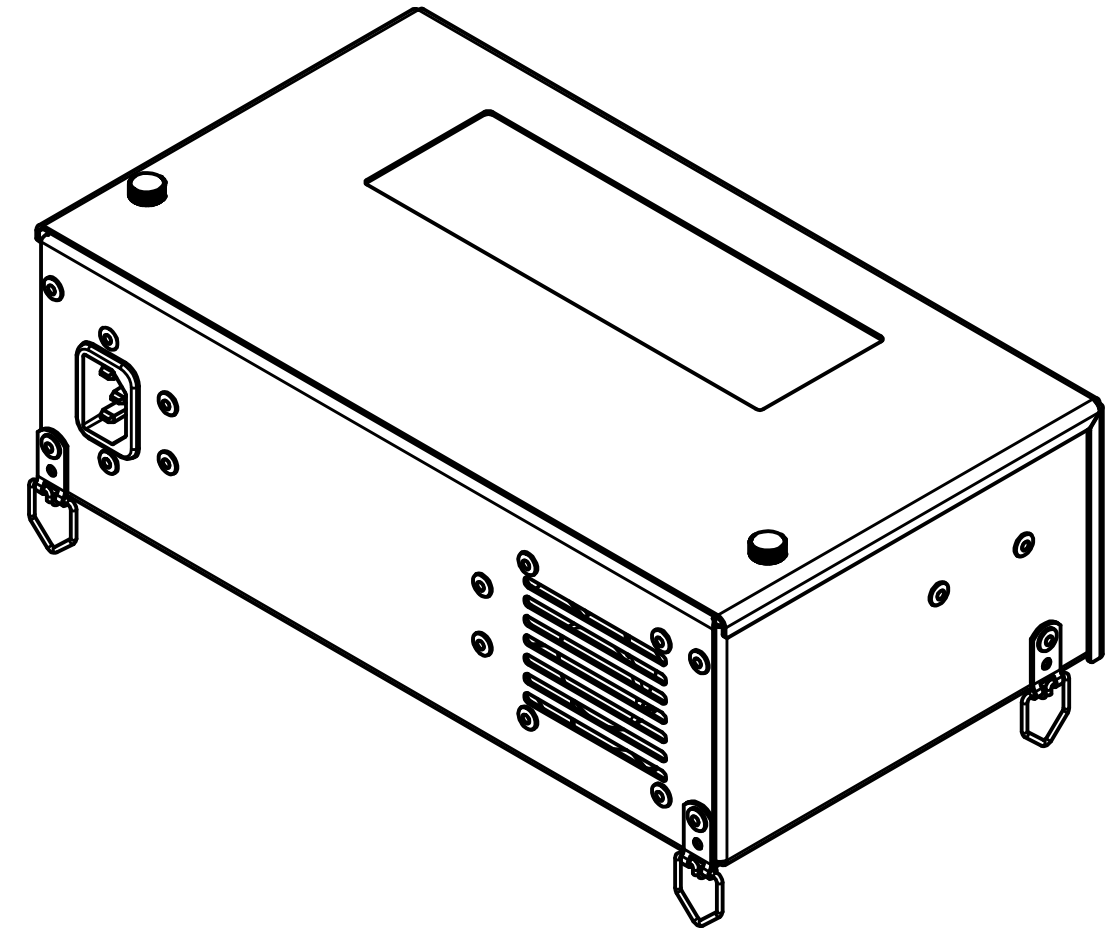
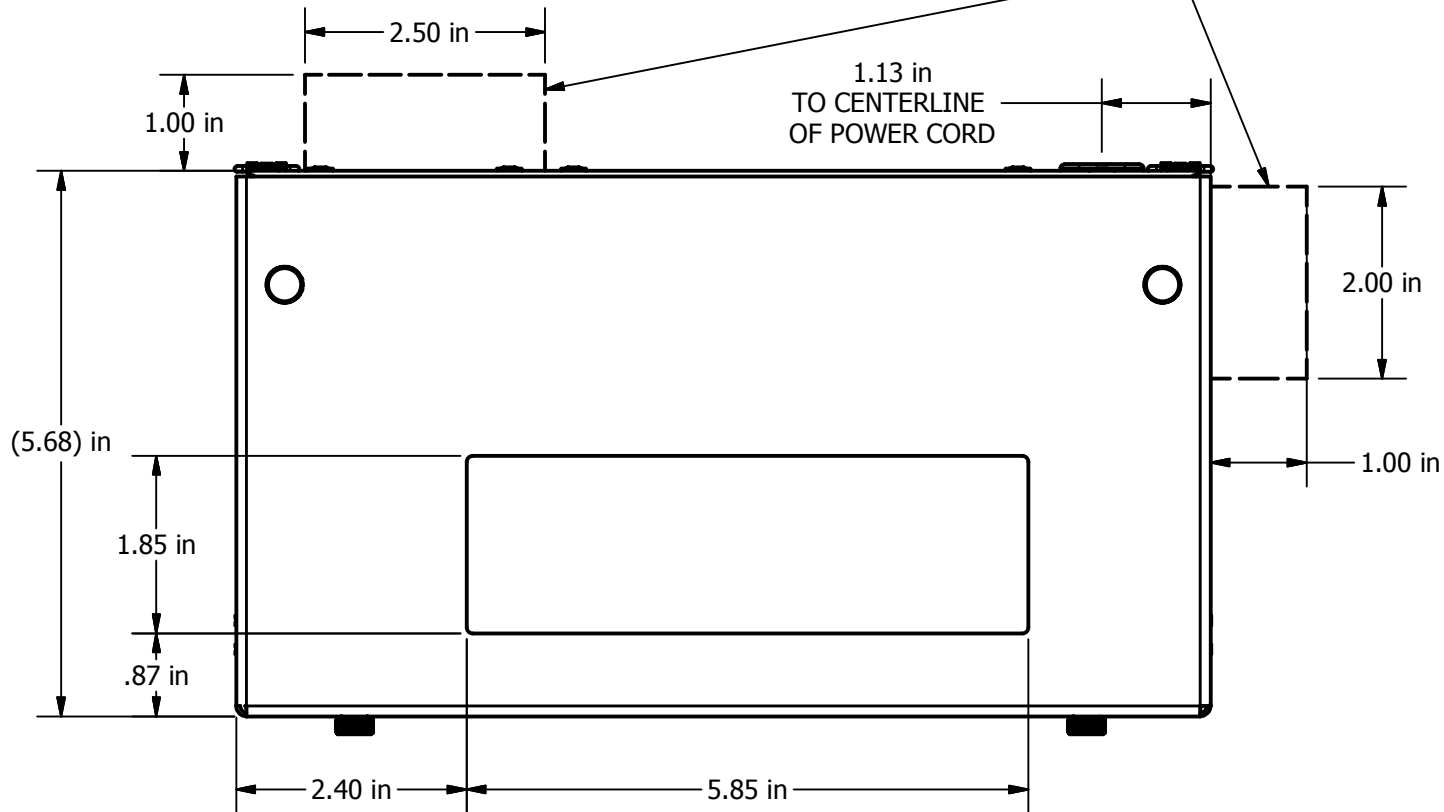
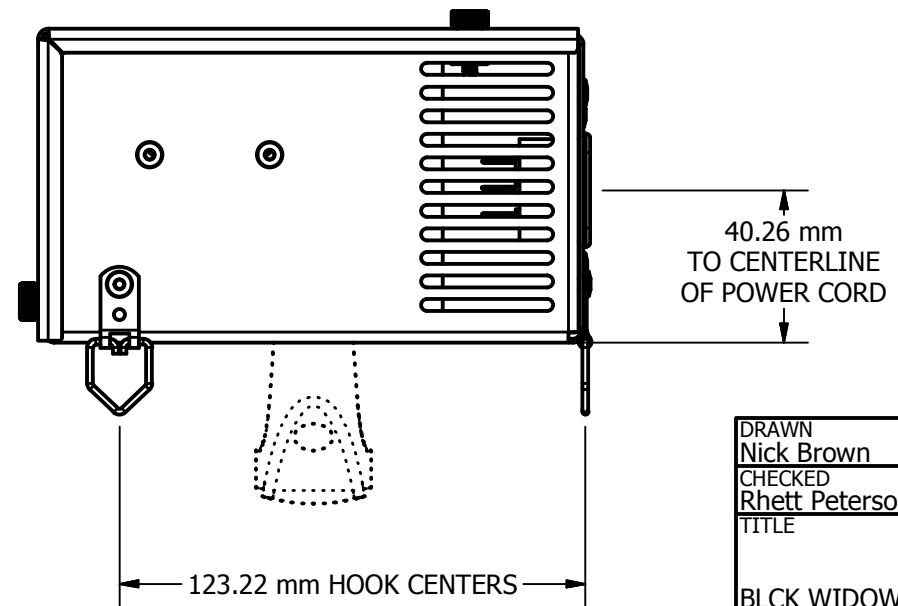
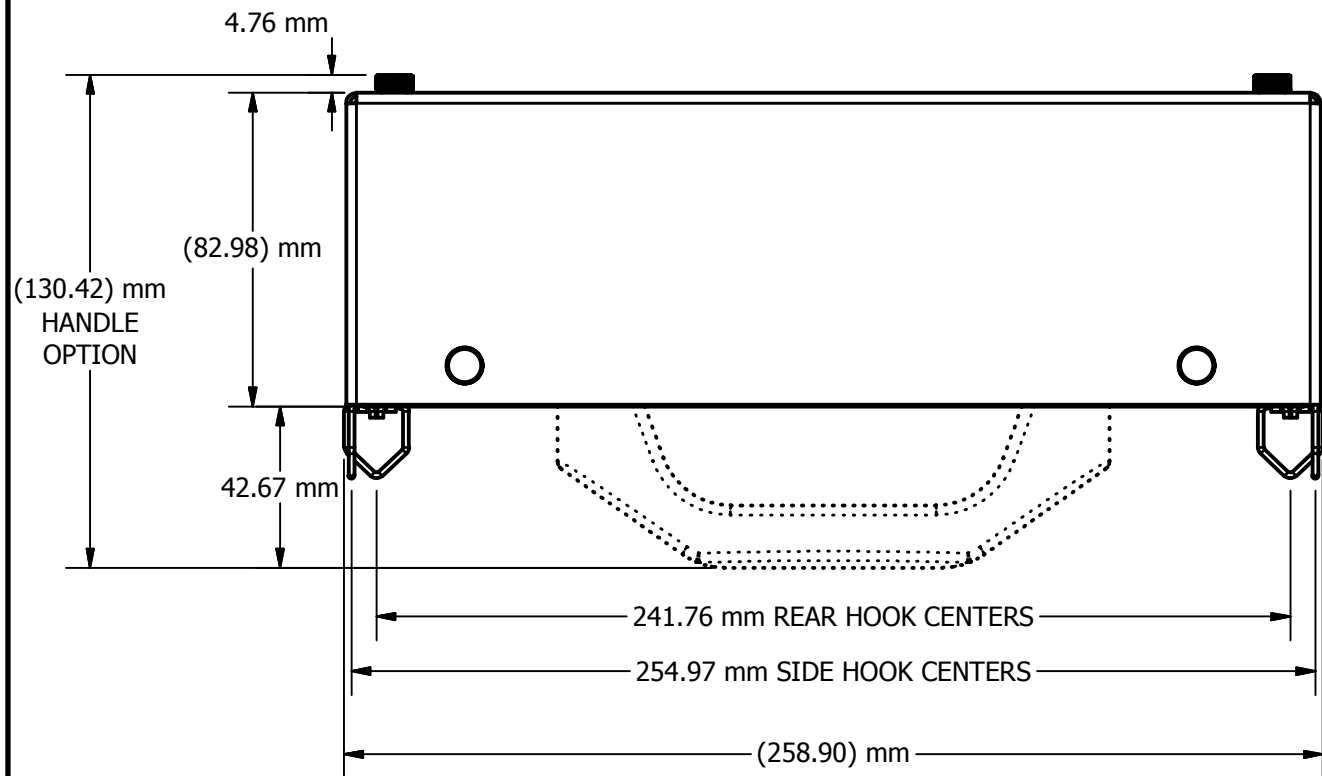
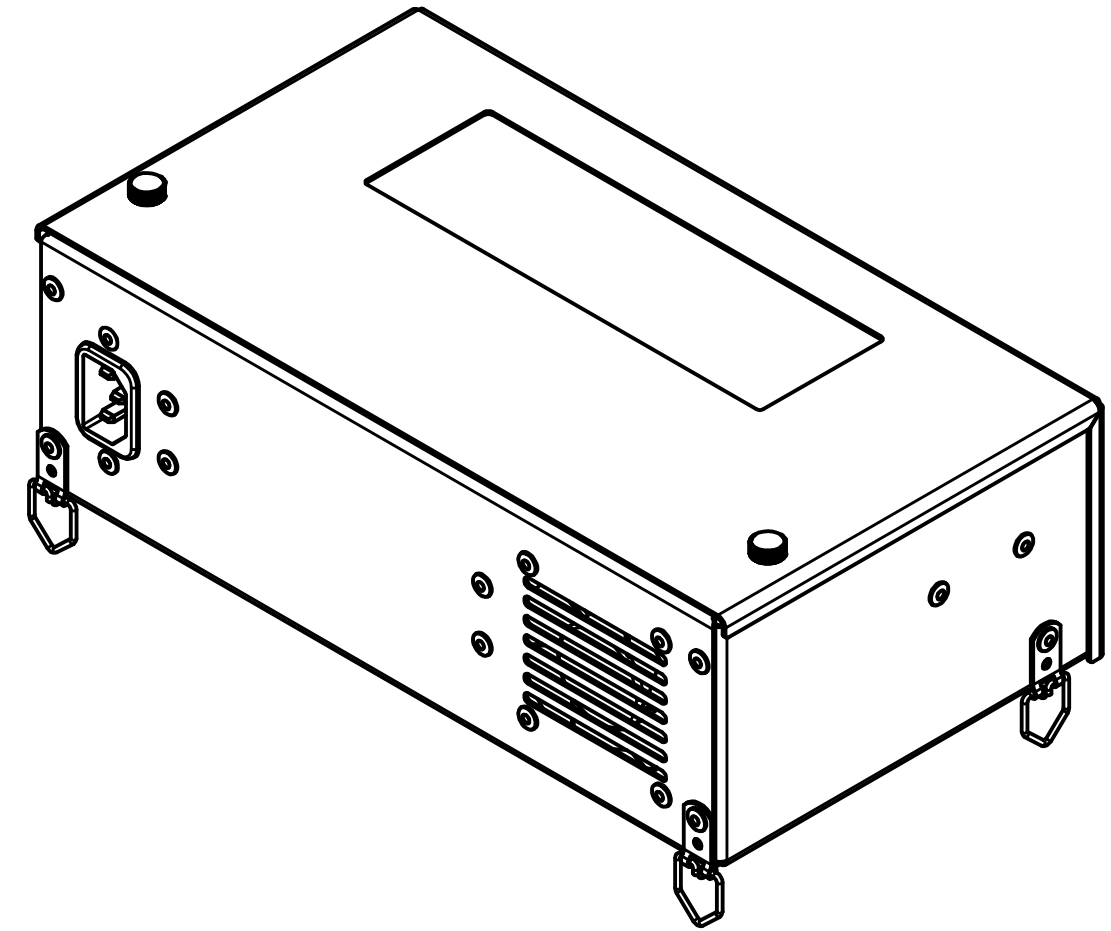
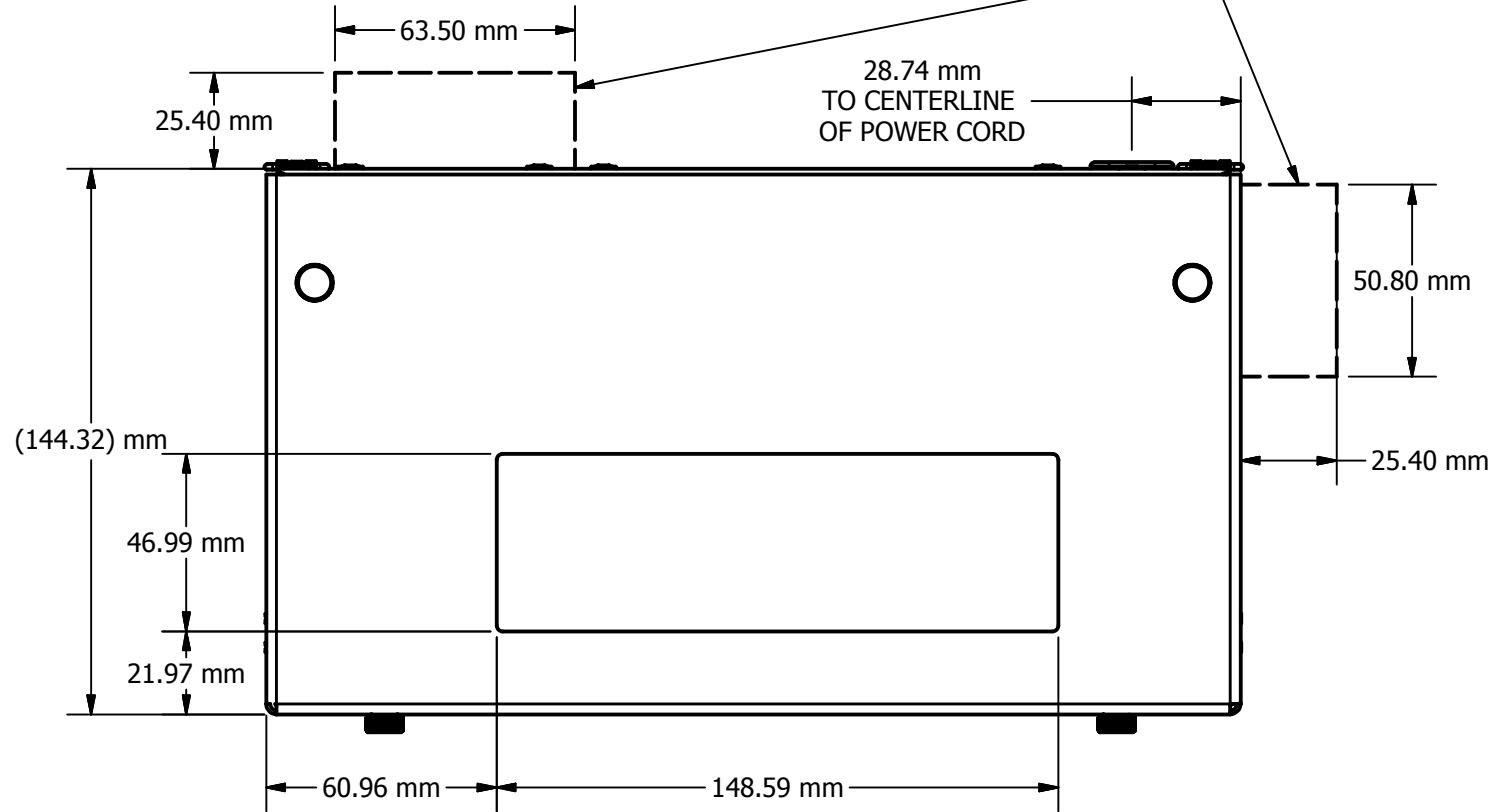


DASHED AREAS ARE CLEARANCES FOR AIR FLOW THROUGH THE LAMP. MAKE SURE DISPLAY ENCLOSURE HAS VENTILATION AS WELL



DRAWN Nick Brown	9/19/2019	Engenious Designs	
CHECKED Rhett Peterson		TITLE	
BLCK WIDOW CUSTOMER DRAWING			
SIZE B	DWG NO BLCK WIDOW CUST	REV 1	
SCALE 1:2	SHEET 1 OF 2		

DASHED AREAS ARE CLEARANCES FOR AIR FLOW THROUGH THE LAMP. MAKE SURE DISPLAY ENCLOSURE HAS VENTILATION AS WELL



DRAWN Nick Brown		9/19/2019	Engenious Designs
CHECKED Rhett Peterson			
TITLE BLCK WIDOW CUSTOMER DRAWING			
SIZE B	DWG NO BLCK WIDOW CUST		REV 1
SCALE 1:2			SHEET 2 OF 2